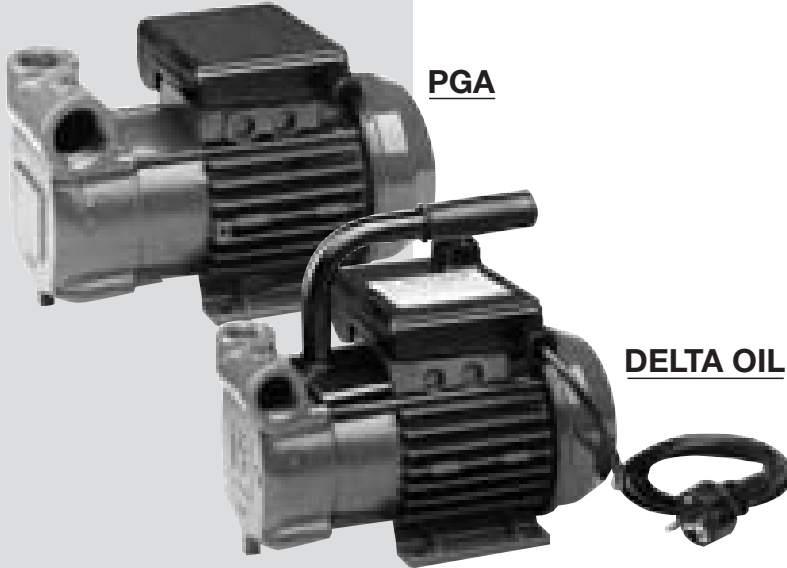


P.G.A. - DELTA OIL

SPECIAL SELF-PRIMING LIQUID RING PUMPS FOR DIESEL TRANSFER

The PGA series pumps are particularly suitable for diesel transfer. Version equipped with power supply cable, switch and handle available.



PGA

DELTA OIL

Applications

- Manufacture of delivery assemblies
- For farm diesel transfer
- Farm machines
- Small pumping stations

Motor

- Enclosed, externally ventilated
- Level of protection IP44
- Class F insulation
- Single phase power supply with capacitor permanently activated and thermal protection built into the motor winding
- Three phase power supply with external protection provided by the user
- Speed of rotation 2850 rpm
- Suitable for continuous use

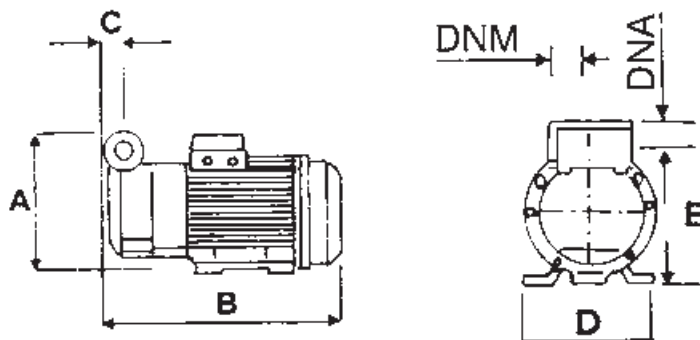
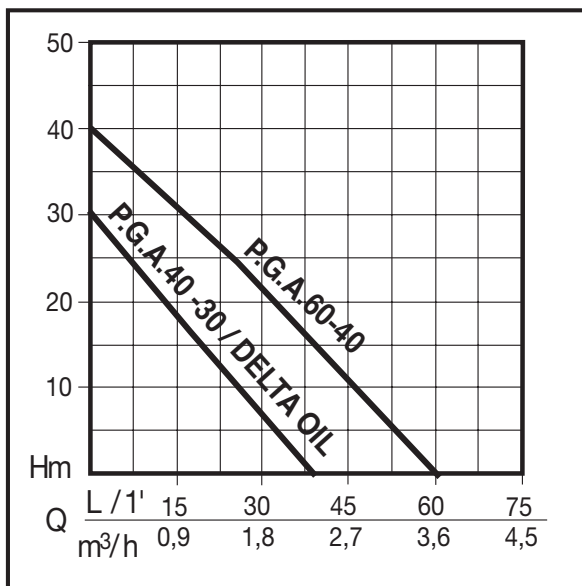
Usage limitations

- Type of liquid: diesel
- Maximum liquid temperature 50°C
- Maximum recommended suction height 5m with foot valve
- Maximum operating pressure 6 bar

DESIGN FEATURES

Component	Material
Pump casing	EN GJL 200 (ex G20) Cast iron
Motor bracket	EN GJL 200 (ex G20) Cast iron
Finned impeller	Brass
Motor shaft	X 12 CrNiS 1809 (AISI 416) Stainless steel
Mechanical seal	Graphite
Counterface	Ceramic
O'ring	NBR 70 shore

TABLE OF HYDRAULIC PERFORMANCE



PUMP PERFORMANCE

CODE	MODEL	Nominal Power		Absorbed Power		VOLTAGE (V)	Amp.	µF.	Q L/1' m³/h	5	10	15	25	35	45	60
		HP	kW	HP	kW					0,3	0,6	0,9	1,5	2,1	2,7	3,6
N6232090 N6232100	PGA 40 - 30 M PGA 40 - 30 T	0,6	0,45	0,75	0,55	1 ~ 220 ÷ 240 V 3 ~ 230 ÷ 400 V	2,7 1,6-0,9	8	Discharge head in meters	28	23	18	13	5		
N6232130 N6232140	PGA 60 - 40 M PGA 60 - 40 T	0,8	0,6	1,2	0,9	1 ~ 220 ÷ 240 V 3 ~ 230 ÷ 400 V	4,5 2,7-1,6	12,5		39	34	32	25	18	12	1
N6232170	DELTA OIL	0,6	0,45	0,75	0,55	1 ~ 220 ÷ 240 V	2,7	8		28	23	18	13	5		

TABLE OF SIZES AND WEIGHTS

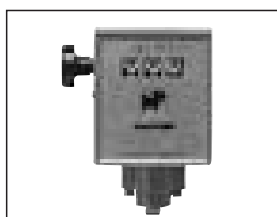
Model	Dimensions mm.							Weight
	A	B	C	D	E	DNA	DNM	kg
PGA 40 - 30	141	255	20	120	119	3/4"	3/4"	6,2
PGA 60 - 40	148	260	24	120	123	1"	1"	8
DELTA OIL	141	255	20	120	119	3/4"	3/4"	7

ACCESSORIES

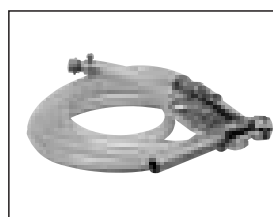
ZA000840	4 M SUCTION KIT
ZA005380	4 M DELIVERY KIT PIPE AND GUN
ZA000120	VOLUMETRIC METER PLASTC CASE
ZA005160	VOLUMETRIC METER ALUMINIUM CASE
ZA000130	ALUMINIUM DELIVERY GUN WITH RUBBER HOLDER 19 mm Ø



4 M SUCTION KIT



VOLUMETRIC
LITRE-COUNTER



4 M DELIVERY KIT
PIPE AND GUN